

TMS / ITS - Approved Products List

Non-Intrusive Detection Folding Pole

The Non-Intrusive Detection Pole design shall be in accordance with the AASHTO Standard Specification of Structural Supports for Highway Signs, Luminaries and Traffic Signals and the following:

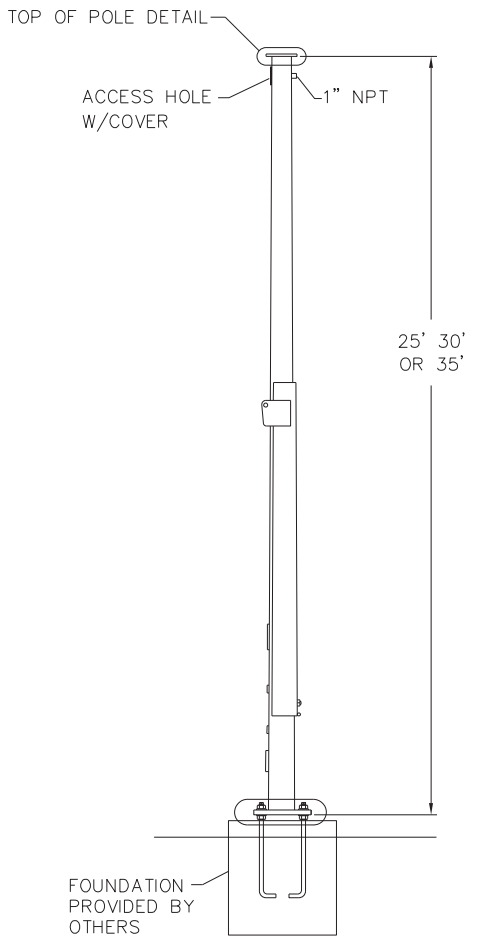
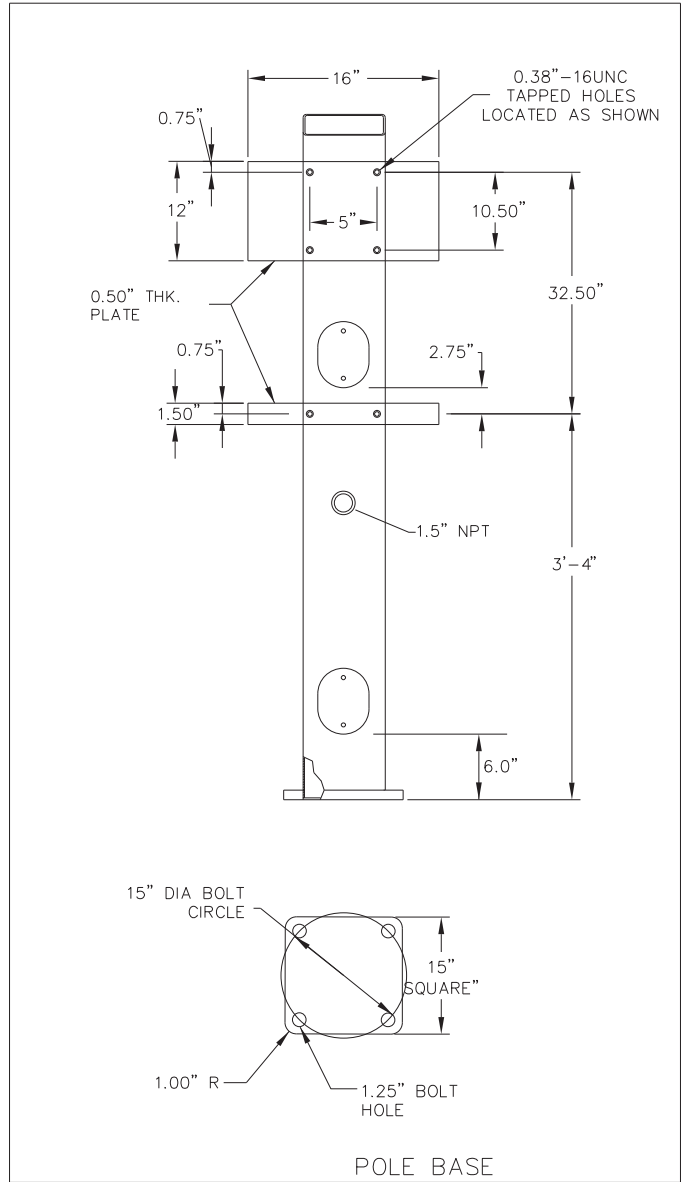
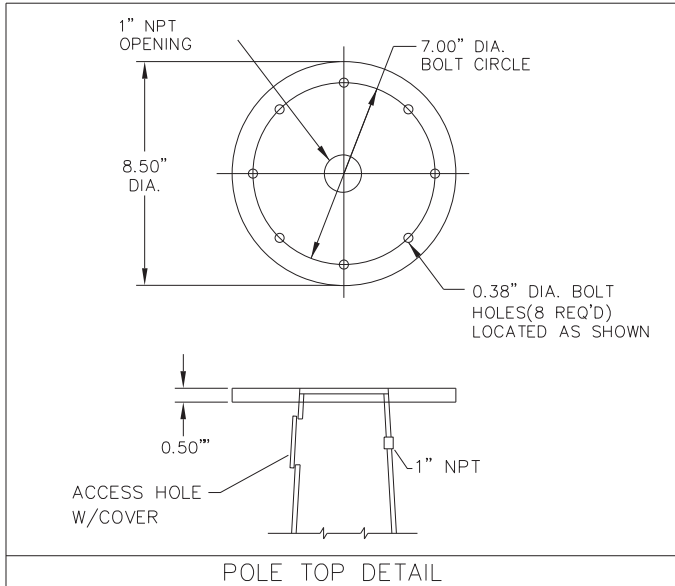
A. The basic design criteria shall be as follows:

1. Shall endure a wind velocity of 90mph minimum.
2. Shall endure a dead load of 50 lbs. at top of pole.
3. Shall support a side load of 50-75 lbs. 5 ft. from base of pole.
4. Service life shall be greater than 20 years.
5. Typical heights are 25, 30 and 35ft.
6. Have no sharp edges

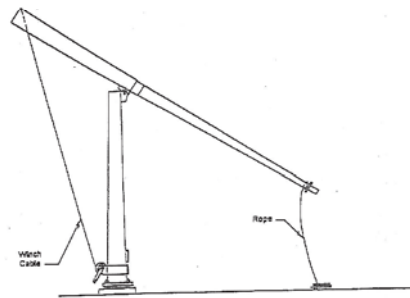
B. Fabricate from high carbon steel with a galvanize finish that meets ASTM specifications for the intended purpose. All associated materials must be made of non-corroding materials.

C. Shall include the following features:

1. Pole base with access for electrical grounding provisions.
2. Access hole must be provided at the knuckle if cable guide design does not permit threading of cables from the top.
3. Cable guides at knuckle must have at least 2.5" of capacity
4. Equipment mounting plate at top of pole.
5. Mounting plates for a pole mounted cabinet near the base of the pole.
6. Must be lockable in the raised position by a 5/16" shackle lock.



NID CAMERA POLE ELEVATION VIEW IN SERVICE



NON-INTRUSIVE DETECTION FOLDING POLE