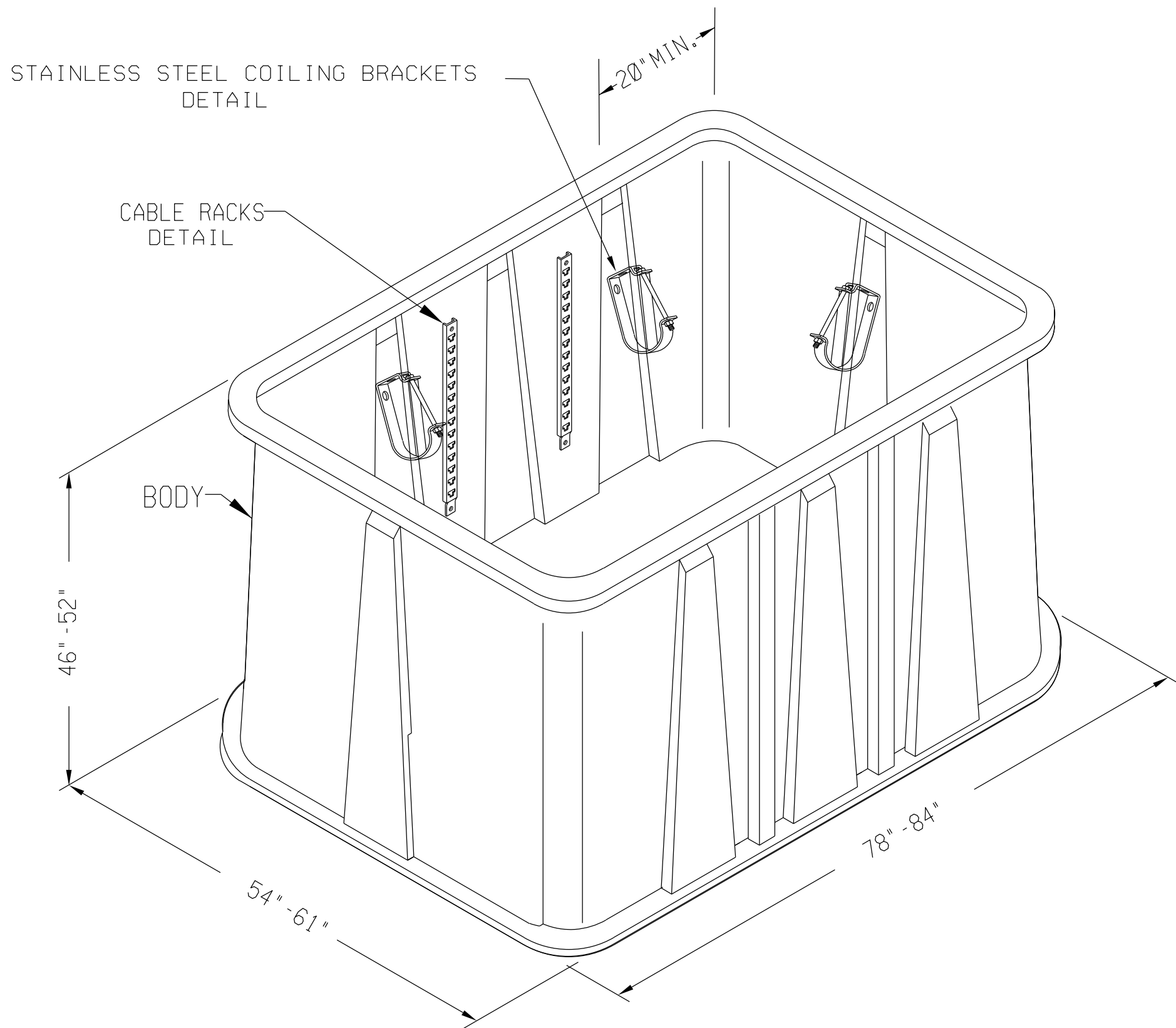


TMS / ITS - Approved Products List

TMS / ITS Fiber Optic Splice Vault

The Fiber Optic Splice Vault shall be constructed in accordance with the following:

- A. The Fiber Optic Splice Vault shall be a pre-cast polymer concrete and/or fiber reinforced polymer structure.
- B. The Fiber Optic Splice Vault body and cover assembly shall have a minimum design load of 15,000 pounds and minimum test load of 20,000 pounds.
- C. Contain six stainless steel coiling brackets sized for 4" pipe and 8-3/8" in height placed 12" below top of ring. Fasten with hex head bolts 5/8" x 4-1/2" long and a nylon insert lock nut.
- D. Contain four 14 hole cable racks, two on each side.
- E. All hardware shall be stainless steel.
- F. The slab and cover shall be a non-slip surface.
- G. Provide a drainage system on the vault floor with at least 3.5 sq. in. of drainage, minimum of four openings, with no slot width or hole diameter larger than 1/2".
- H. The round cover shall **have**:
 - 1. Two lifting eyes.
 - 2. Two 3/8"-16 UNC x 3-1/2" long hex head bolts with self aligning replaceable nuts positioned in holes to allow drainage of soil and debris.
 - 3. Identification Logo embossed to reflect the specific application:
 - a. "MnDOT Signals" for traffic control signal projects.
 - b. "MnDOT Lighting" for roadway lighting projects.
 - c. "MnDOT TMS" for ITS projects.
 - d. "MnDOT Anti-Icing" for anti-icing projects.



DRAWING NOT TO SCALE

